

PERFORMANCE DATA SHEET NEMA PREMIUM NR CAN NEMA 12 - 12

Catalogue #: **JMQP-21**

HP	kW	Voltage	S.F. @ 60Hz	EFF.	P.F.	Frame	Design	L.R. Amps
5	3,73	230/460	1,25	88,5%	0,9	184JM	B	46

60 Hz								
FLA							Code	F.L. RPM
208	230	416	460	480	575	600		
13,00	11,6	6,50	5,80	5,60	/	/	J	3515

50 Hz							
FLA			S.F. @ 50Hz	Efficiency	Power Factor	Code	F.L. RPM
190	380	415					
14,0	7	6,40	1,00	86,5%	0,92	F	2900

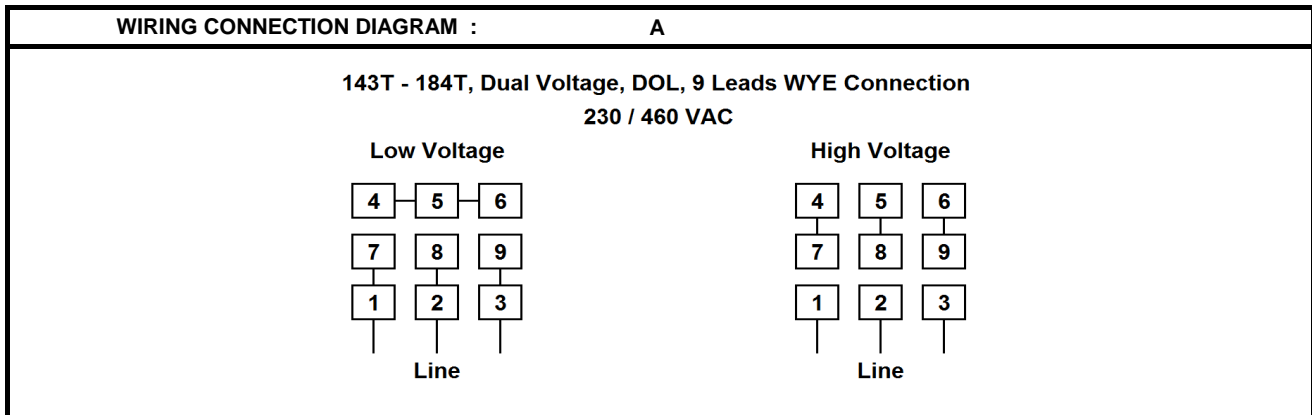
Wgt. Lbs	PH	Duty	Insul. Class	Amb.	Elevation	Temp. Rise° C
110	3	Cont.	F	40°C	1000M (3300 Ft)	42

% Efficiency		% Power Factor		Torque		Winding Resist. Ω	Safe Cold Start (Secs)
Full Load:	88,5%	Full Load:	0,90	Full Load Ft/Lbs	7,5		
3/4 Load:	88,7%	3/4 Load:	0,84	Locked Rotor %	180		
1/2 Load:	86,9%	1/2 Load:	0,74	Break Down %	320		

Rotor Inertia Wk2 Lb-Ft2	Max Load Inertia Wk2 Lb-Ft2	Shaft Material	Frame Material	DE Bracket Type	ODE Bracket Type	Enclosure	NEMA Rating	Lead Wire Size
0,14	8,5	Standard	Cast Iron	Standard	Standard	TEFC	IP55	14 AWG

Ball Bearings		Grease	Mount Type	Orientation	Paint	Sound Pressure @ 3FT	Sound Power
DE	ODE						
6208	6306	Sealed Bearings	Rigid	Horizontal	Green	78	88

Inverter Duty. Motor meets MG1 parts 31.4.4.2	Constant Torque Range	Variable Torque Range	Constant HP RPM
	10:1	20:1	5400

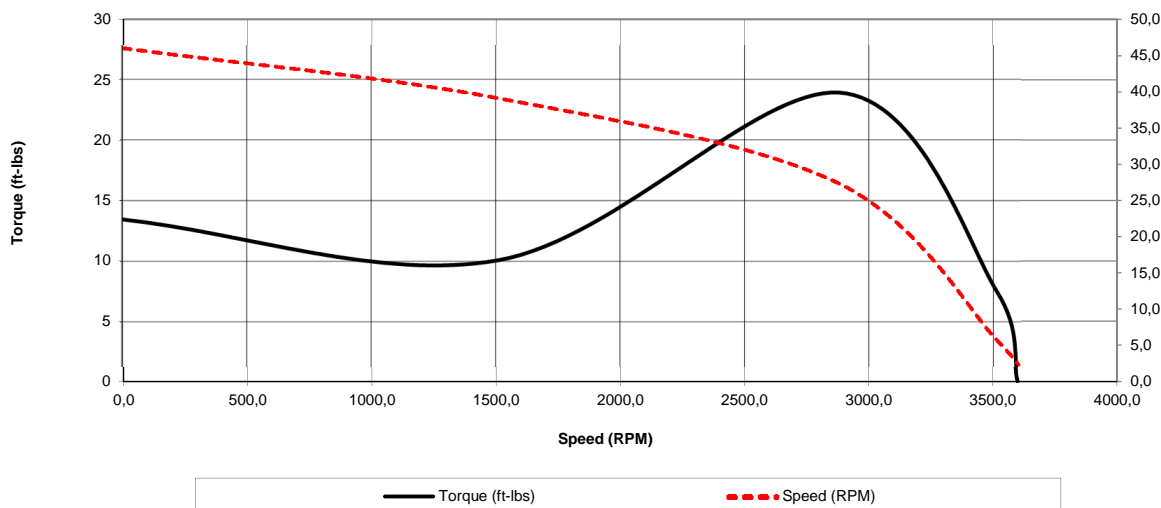


Date: 2020-04-02
 Customer: _____
 Contact: _____
 Submittee: J.C. Lavallée

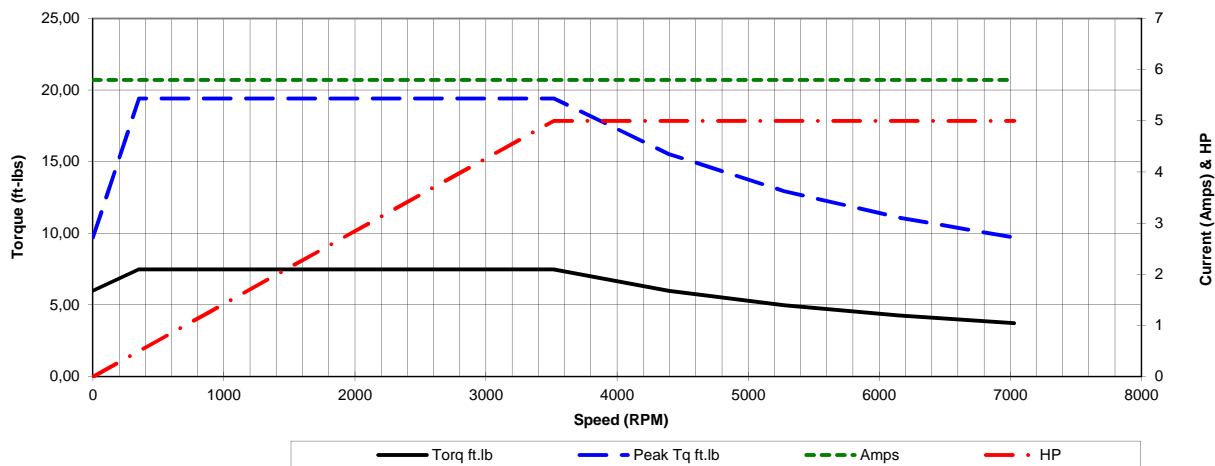
Catalogue #: **JMQP-21**

NEMA PREMIUM NR CAN NEMA 12 - 12										
HP	VAC	RPM	Enclosure	Frame	Frequency	Design	Poles	LR Code Letter	Insulation Class	Temp. Rise °C
5	460	3515	TEFC	184JM	60	B	2	J	F	42
	0Hz	6Hz	15Hz	30Hz	45Hz	60Hz	75Hz	90Hz	105Hz	120Hz
Amps	5,8	5,8	5,8	5,8	5,8	5,8	5,8	5,8	5,8	5,8
RPM	0	351,5	878,75	1757,5	2636,25	3515	4393,75	5272,5	6151,25	7030
Torq ft.lb	5,98	7,47	7,47	7,47	7,47	7,47	5,98	4,98	4,27	3,74
Peak Tq ft.lb	9,71	19,42	19,42	19,42	19,42	19,42	15,54	12,95	11,10	9,71
HP	0	0,5	1,3	2,5	3,8	5,0	5,0	5,0	5,0	5,0
	Locked Rotor	Pull-Up	Breakdown	Rated Load	Idle	Duty	S. F.	Ambient	Elevation	dBA @ 1M
Speed (RPM)	0,0	1512	2880	3515	3600	Continuous	1,25	40°C	3300 ft	78
Current (Amps)	46,0	39,1	27,4	5,8	2,5	VFD Rating: Meets MG1 parts 31.4.4.2				
Torque (ft-lbs)	13,4	10,1	23,9	7,5	0,0	C.T.	10:1	V.T.	20:1	

Motor Speed Data



Motor Torque Capability vs RPM





Date: 2020-04-02
 Customer: _____
 Contact: _____
 Submittee: J.C. Lavallée

Catalogue #: **JMQP-21**

NEMA PREMIUM NR CAN NEMA 12 - 12										
HP	VAC	RPM	Enclosure	Frame	Frequency	Design	Poles	LR Code Letter	Insulation Class	Temp. Rise °C
5	460	3515	TEFC	184JM	60	B	2	J	F	42
Load %	0%	25%	50%	75%	100%	125%	150%			
Amps	2,50	2,93	3,88	5,05	5,80	7,32	8,66			
Torq ft/lbs	0	1,97	3,95	5,96	7,99	10,05	12,13			
RPM	0	3578,75	3557,5	3536,25	3515	3493,75	3472,5			
Eff	0	74,39	86,90	88,70	88,50	88,50	88,50			
PF	0	53,7	74,4	84	90	90,3	91,6			
	Locked Rotor	Pull-Up	Breakdown	Rated Load	Idle	Duty	S. F.	Ambient	Elevation	dBA @ 1M
Speed (RPM)	0	1512	2880	3515	3600	Continuous	1,25	40°C	3300 ft	78
Current (Amps)	46	39,1	27,4	5,8	2,5	VFD Rating: Meets MG1 parts 31.4.4.2				
Torque (ft-lbs)	13,45	10,09	23,91	7,47	0,0	C.T.	10:1	V.T.	20:1	

